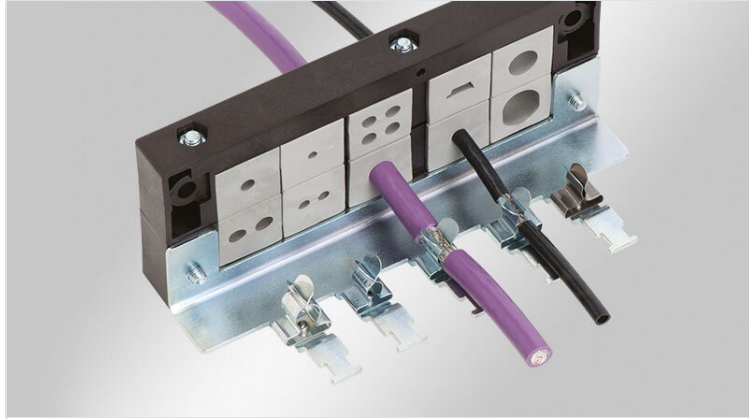


# KEL-EMC | KEL-EMC-Z cable assembly

with shield earthing and integrated strain relief



Cable entry, EMC shield earthing and strain relief - all in one location!

Cables pass through the [KEL cable entry frame](#) and lead directly to cable shield earthing and strain relief. Three functions carried out quickly and easily!

KEL-EMC-Z: Custom configurations are available for shield clamps up to 16 mm in diameter with minimal order quantities and lead time.

## Material:

KEL-EMC: Stainless steel

KEL-EMC-Z: Mild steel, galvanically zinc plated



RoHS compliant



Made in Germany



## Specifications

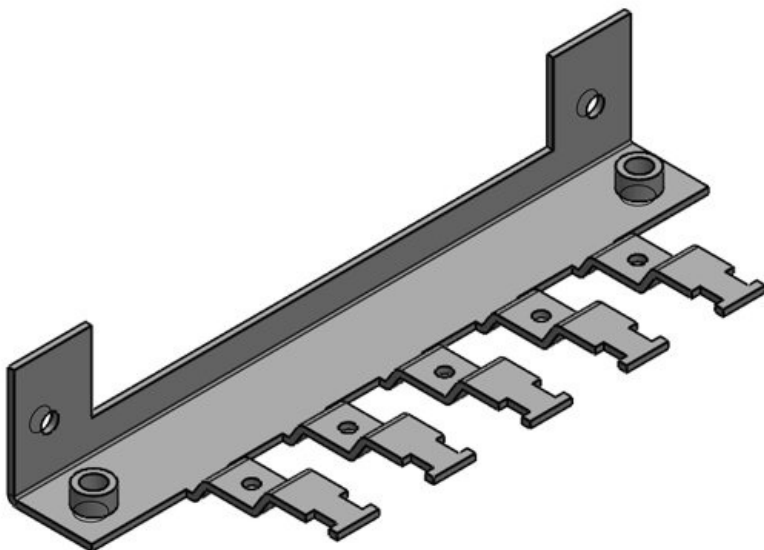
<b>Material</b>	Mild steel, galvanically zinc plated Stainless steel
<b>Properties</b>	vibration proof
<b>Mounting options</b>	Screw type mounting

## Advantages & benefits

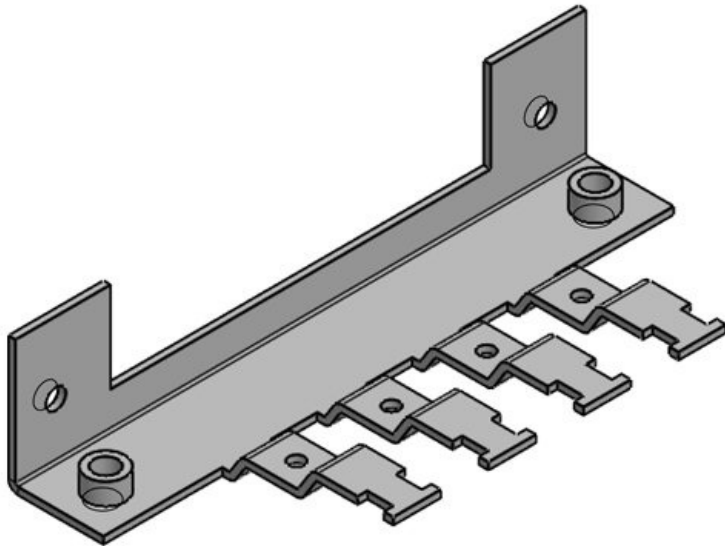
- Large surface contact between cable shield and housing, especially on conductive coated surfaces
- Easily combines cable routing, EMC and strain relief due to the use of the same mounting holes
- Available without SKL shield clamps if only additional strain relief is required
- M6 Mounting hole for earthing tape or PE connection (KEL-EMC-Z)
- Direct, easy and quick contact to the enclosure
- Space saving, usable for up to 10 cables with the two row model
- Replacement for EMC cable glands, even for pre-terminated cables

## Product types & sizes

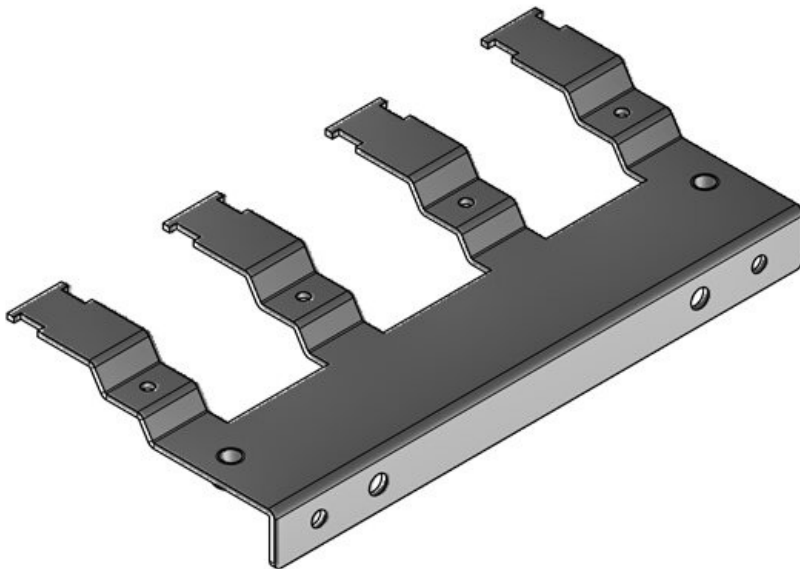
KEL-EMC-Z 24|5



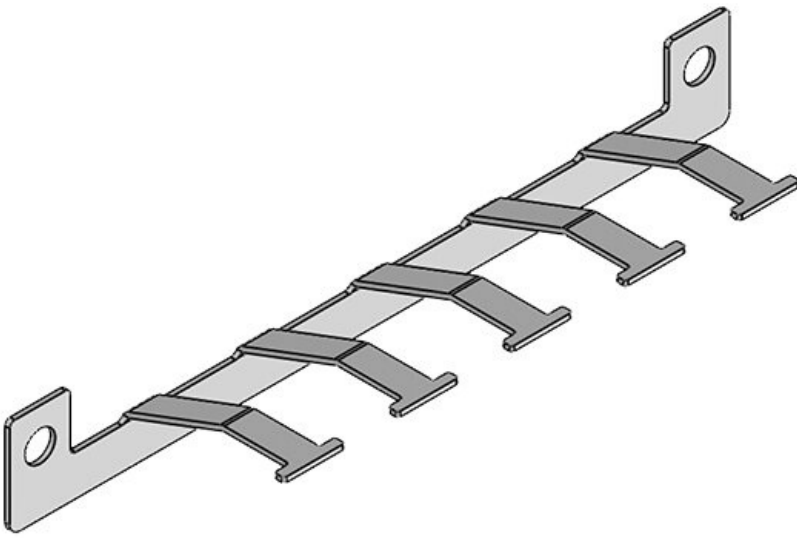
Part No.	<b>36527</b>	Width	<b>56 mm</b>
EAN	<b>4251269303074</b>	Height	<b>28 mm</b>
Package quantity	<b>1</b>	Mounting height	<b>28 mm</b>
For no. of shield clamps	<b>5</b>	Hole size	<b>M5 / M6</b>
For max. no. of cables	<b>5</b>	No. of screw holes	<b>2</b>
Length L1	<b>147 mm</b>	No. of teeth	<b>5</b>
Length L2	<b>130 mm</b>	Suitable for cable entry systems:	<b>KEL-ER 24, KEL-ER-E5, KEL-U 24, KEL-FG-E5, KEL-QUICK 24, KEL-QUICK-E5, KEL-BES 24, KEL-BES-S 24, KEL-DPZ 24, KEL-DPZ-E, KEL-DPU 24</b>



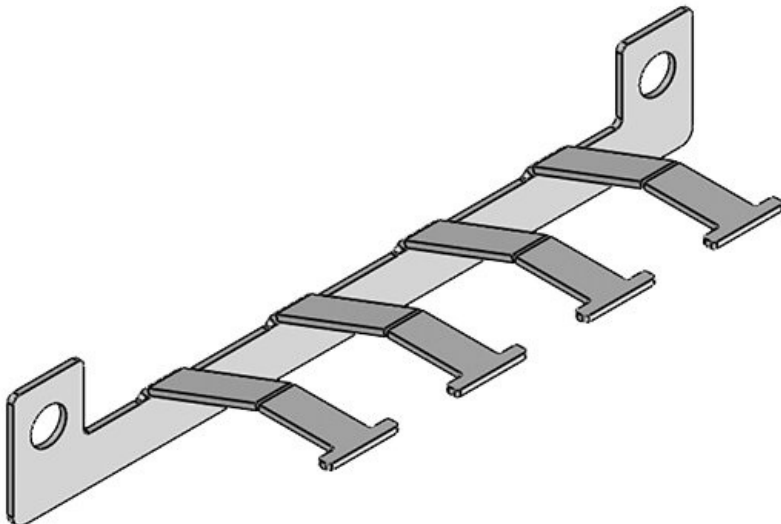
Part No.	<b>36525</b>	Width	<b>56 mm</b>
EAN	<b>4251269303</b>	Height	<b>28 mm</b>
	<b>050</b>	Mounting height	<b>28 mm</b>
Package quantity	<b>1</b>	Hole size	<b>M6 / M5</b>
For no. of shield clamps	<b>4</b>	No. of screw holes	<b>2</b>
For max. no. of cables	<b>4</b>	No. of teeth	<b>4</b>
Length L1	<b>120 mm</b>	Suitable for cable entry systems:	<b>KEL-ER 16, KEL-ER-E4, KEL-U 16, KEL-QUICK 16, KEL-QUICK-E4, KEL-BES 16, KEL-BES-S 16, KEL-DPZ 16</b>
Length L2	<b>103 mm</b>		



Part No.	<b>36528</b>	Width	<b>79 mm</b>
EAN	<b>4251269331</b>	Height	<b>27 mm</b>
	<b>343</b>	Mounting height	<b>27 mm</b>
Package quantity	<b>1</b>	Hole size	<b>M4 / M6</b>
For no. of shield clamps	<b>4</b>	No. of screw holes	<b>2</b>
For max. no. of cables	<b>4</b>	No. of teeth	<b>4</b>
Length L1	<b>156 mm</b>	Suitable for cable entry systems:	<b>KEL 183-E, KEL 183</b>
Length L2	<b>140 mm</b>		



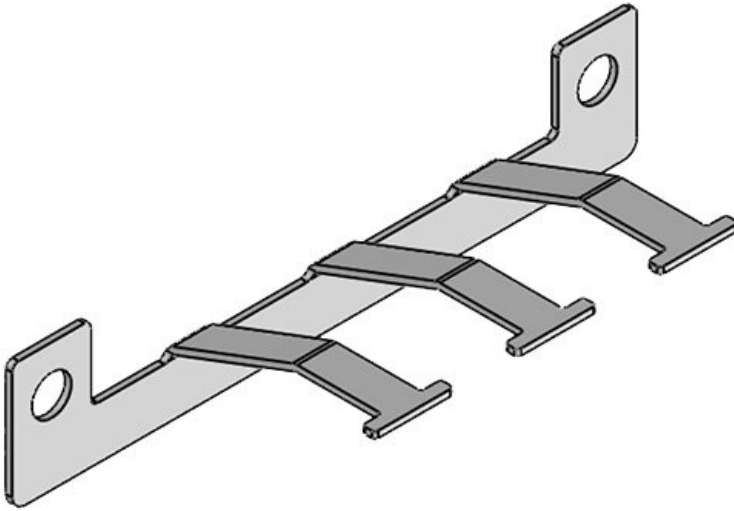
Part No.	<b>36526</b>	Height	<b>19,5 mm</b>
EAN	<b>4251269303067</b>	Mounting height	<b>19,5 mm</b>
Package quantity	<b>5</b>	No. of screw holes	<b>2</b>
For max. no. of cables	<b>5</b>	Diam. of screw holes	<b>6 mm</b>
Length L1	<b>142 mm</b>	No. of teeth	<b>5</b>
Length L2	<b>130 mm</b>	Suitable for cable entry systems:	<b>KEL-ER 24, KEL-ER-E5, KEL 24, KEL-E5, KEL-U 24, KEL-FG-E5, KEL-QUICK 24, KEL-QUICK-E5, KEL-BES 24, KEL-BES-S 24, KEL-DPZ 24, KEL-DPZ-E, KEL-DPU 24</b>
Width	<b>35 mm</b>		



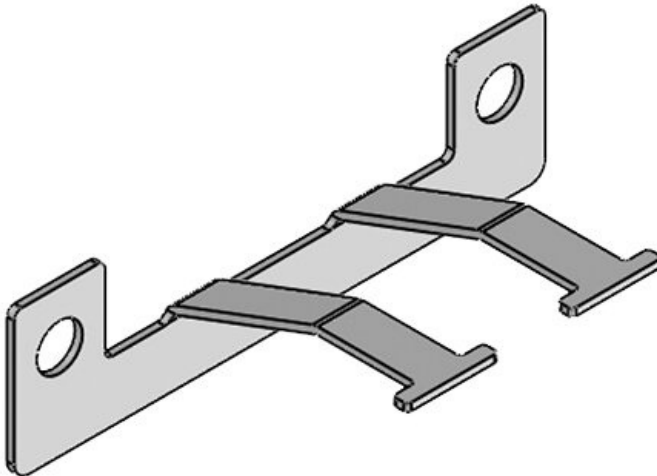
Part No.	<b>36524</b>	Height	<b>19,5 mm</b>
EAN	<b>4251269303043</b>	Mounting height	<b>19,5 mm</b>
Package quantity	<b>5</b>	No. of screw holes	<b>2</b>
For max. no. of cables	<b>4</b>	Diam. of screw holes	<b>6 mm</b>
Length L1	<b>115 mm</b>	No. of teeth	<b>4</b>
Length L2	<b>103 mm</b>	Suitable for cable entry systems:	<b>KEL-ER 16, KEL-ER-E4, KEL 16, KEL-E4, KEL-U 16, KEL-QUICK 16, KEL-QUICK-E4, KEL-BES 16, KEL-BES-S 16, KEL-DPZ 16</b>
Width	<b>35 mm</b>		

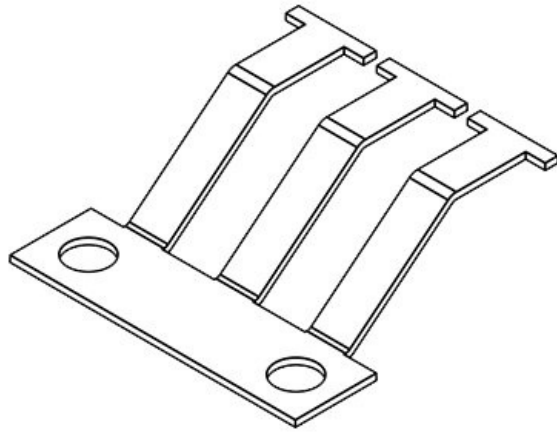
**KEL-EMC 10**

Part No.	<b>36522</b>	Height	<b>19,5 mm</b>
EAN	<b>4251269303036</b>	Mounting height	<b>19,5 mm</b>
Package quantity	<b>5</b>	No. of screw holes	<b>2</b>
For max. no. of cables	<b>3</b>	Diam. of screw holes	<b>6 mm</b>
Length L1	<b>95 mm</b>	No. of teeth	<b>3</b>
Length L2	<b>83 mm</b>	Suitable for cable entry systems:	<b>KEL-ER 10, KEL-ER-E3, KEL 10, KEL-E3, KEL-U 10, KEL-FG-E3, KEL-QUICK 10, KEL-QUICK-E3, KEL-BES 10, KEL-BES-S 10</b>
Width	<b>35 mm</b>		

**KEL-EMC-B**

Part No.	<b>36520</b>	Height	<b>19,5 mm</b>
EAN	<b>4251269303029</b>	Mounting height	<b>19,5 mm</b>
Package quantity	<b>5</b>	No. of screw holes	<b>2</b>
For max. no. of cables	<b>2</b>	Diam. of screw holes	<b>6 mm</b>
Length L1	<b>70 mm</b>	No. of teeth	<b>2</b>
Length L2	<b>58 mm</b>	Suitable for cable entry systems:	<b>KEL-ER-B, KEL-ER-E2, KEL-B, KEL-E2, KEL-U-B, KEL-FG-E2, KEL-QUICK-B, KEL-QUICK-E2, KEL-DPZ-B</b>
Width	<b>35 mm</b>		





Part No.	<b>39110</b>	Height	<b>19,5 mm</b>
EAN	<b>4251269305</b>	Mounting height	<b>19,5 mm</b>
Package quantity	<b>5</b>	No. of screw holes	<b>2</b>
For max. no. of cables	<b>3</b>	Diam. of screw holes	<b>6 mm</b>
Length L1	<b>44 mm</b>	No. of teeth	<b>3</b>
Length L2	<b>32 mm</b>	Suitable for cable entry systems:	<b>KEL-ER</b>
Width	<b>35 mm</b>		<b>24/16/10/-B, KEL</b>
			<b>24/16/10/-B, KEL-U</b>
			<b>24/16/10/-B, KEL-QUICK</b>
			<b>24/16/10/-B, KEL-BES</b>
			<b>24/16/10, KEL-BES-S</b>
			<b>24/16/10, KEL-DPZ</b>
			<b>24/16, KEL-DPU 24</b>